

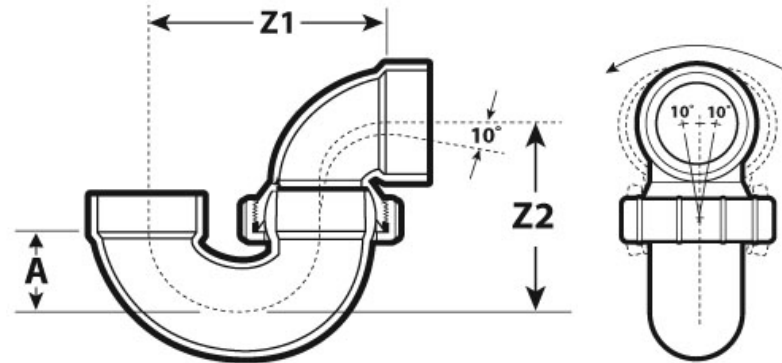


Submittal Sheet

Part Description:
 1-1/2" PVC WHITE DWV PermOseal P-Trap
 with a Union Connection H X H

Part Number:
 193231E

Approvals and Listings maintained by:
Canplas Industries Ltd
 Canada: 1-800-461-5300 USA: 1-888-461-5307



Part #	Part UPC	Colour	Size (inches)	Ctn Qty	Ctn Bar Code	Ctn. Wt (Kgs)	Ctn. Wt (lbs)	Skid Cubic (m)	Skid Cubic (ft)	Ctns/Skid
193231E	662671191076	BLACK	1-1/2X1-1/2	35	10662671191073	10.84	23.85	1.86	65.82	32

Dimensions (inches)

A	Z1	Z2
1.50	4.69	3.93