

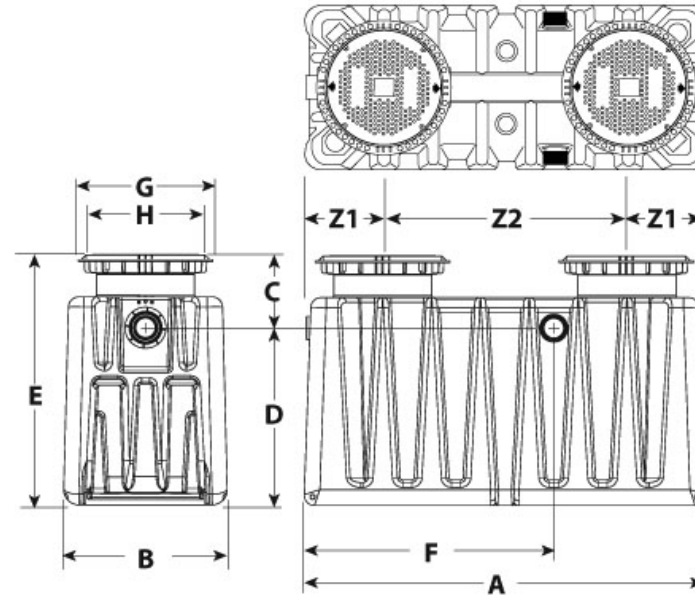


Submittal Sheet

Part Description:
Endura XL100 - M-Rated pedestrian/light traffic access covers - flush to finished floor

Part Number:
40100A04M

Approvals and Listings maintained by:
Canplas Industries Ltd
Canada: 1-800-461-5300 USA: 1-888-461-5307



Part #	Part UPC	Colour	Size (inches)	Ctn Qty	Ctn Bar Code	Ctn. Wt (Kgs)	Ctn. Wt (lbs)	Skid Cubic (m)	Skid Cubic (ft)	Ctns/Skid
40100A04M	662671070739	Black	4"					2.95	104.21	

Dimensions (inches)

A	B	C	D	E	F	G	H	Z1	Z2
78	32	14	34.5	48.5	48.5	26	22	15.25	47.5