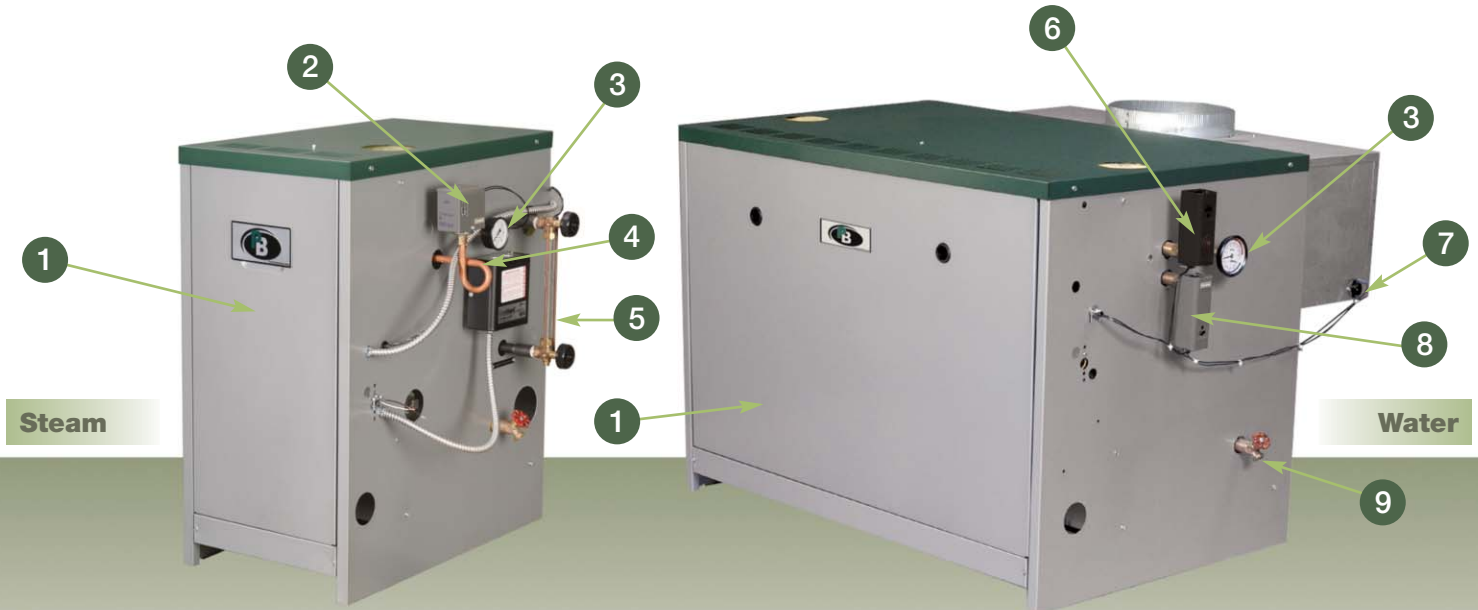




# Series 63™ & Series 64™ Residential/Semi-Commercial Gas Boilers



Steam

Water

- 1 Insulated Jacket
  - 2 Pressure Control (Steam)
  - 3 Temperature Pressure Gage
  - 4 Probe LWCO—Float Optional (Steam)
  - 5 Gage Glass (Steam)
  - 6 Boiler Reset Control with Circulator Relay and Low Water Cut-off
  - 7 Blocked Vent Switch
  - 8 Manual Reset Limit Control (Water)\*
  - 9 Drain Valve
- \*64-09 to 64-12 models

### Series 63™ & Series 64™ Boiler Features

- Gas-fired, Cast Iron Boilers for Natural or LP Gas
- Packaged or Knockdown, Hot Water or Steam Boilers
- 13 Sizes, 3–12 Sections; Residential and Commercial
- Natural Draft (Chimney) Venting
- Up to 83.5% AFUE\*
- Spark Ignition
- Large Water Content—Ideal for Steam and Large Volume Hot Water Applications
- Skim Tapping for Cleaning Steam Boilers
- Steel Push Nipples
- Slide-in, Preassembled Burner Tray
- Low Profile Design

\*for residential models

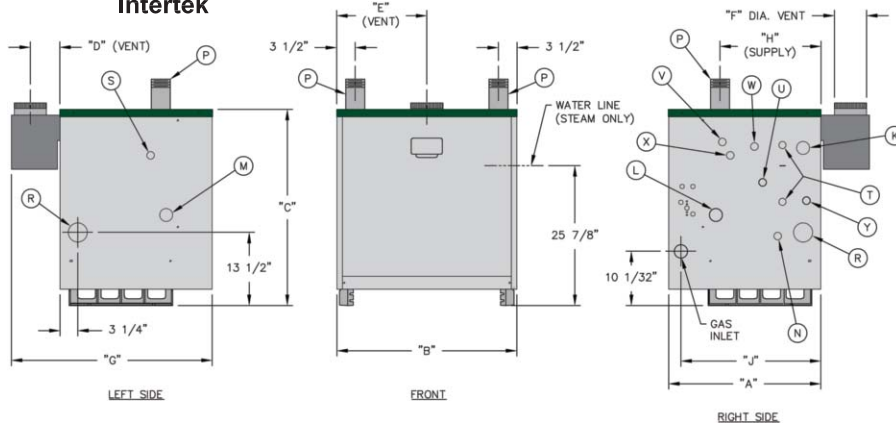
### Standard Equipment

- > Cast Iron Sections—Factory Tested & Assembled (3-6 sections) or Split-Assembled (7-12 sections)
- > Boiler Reset Control with Low Water Cut-off for Increased Efficiency and Safety
- > Pre-assembled Wiring Harness
- > Deluxe Insulated Enameled Steel Jacket—Reduces Boiler Heat Loss
- > Blocked Vent Shutoff Switch
- > Flame Roll-Out Shutoff Switch
- > Drain Valve

**All residential and commercial cast iron boilers include a full one-year warranty. A limited, lifetime warranty is provided for the cast iron sections of Peerless® residential hot water boilers. A limited, ten-year warranty is provided for the cast iron sections of residential steam boilers and commercial hot water and steam boilers. Visit PeerlessBoilers.com for complete details.**



# Technical Information



## Tapping Locations

Location	Size N.P.T	Steam	Water
K	1-1/4"	Skim Tapping	Skim Tapping
L	1"	Tank Supply/Limit	N/A
M	1"	Tank Return	N/A
N	3/4"	Boiler Drain	Boiler Drain
P	3"	Supply	Supply
R	2-1/2"	Return	Return
S	3/4"	Safety Valve	Relief Valve
T	1/2"	Gauge Glass	N/A
U	3/4"	Primary Probe Low Water Cut-Off	N/A
V	3/4"	Primary Limit	Secondary Limit
W	3/4"	Secondary Limit	Pressure/Temperature Gauge
X	3/4"	Pressure Gauge	Primary Limit
Y	3/4"	Secondary Probe Low Water Cut-Off	N/A

## Boiler Dimensions

Boiler Model Number	Jacket Depth "A"	Jacket Width "B"	Jacket Height "C"	Rear of Jkt. to c/l of Vent "D"	Left of Jkt. to c/l of Vent "E"	Vent Size Dia. "F"	Overall Depth "G"	Rear of Jkt. to c/l of Supply "H"	Rear of Jkt. to c/l of Gas Inlet "J"	Boiler Model Number	Jacket Depth "A"	Jacket Width "B"	Jacket Height "C"	Rear of Jkt. to c/l of Vent "D"	Left of Jkt. to c/l of Vent "E"	Vent Size Dia. "F"	Overall Depth "G"	Rear of Jkt. to c/l of Supply "H"	Rear of Jkt. to c/l of Gas Inlet "J"
63-03L	28-1/8"	16-1/8"	36-3/8"	5-5/8"	8-1/16"	6"	37-1/4"	18-11/16"	25-7/8"	63-06	28-1/8"	28-7/8"	36-3/8"	6-1/8"	14-7/16"	9"	39-1/4"	18-11/16"	25-7/8"
63-03	28-1/8"	16-1/8"	36-3/8"	5-5/8"	8-1/16"	6"	37-1/4"	18-11/16"	25-7/8"	64-07	28-1/8"	33-1/8"	36-3/8"	6-1/8"	16-9/16"	9"	39-1/4"	18-11/16"	25-7/8"
63-04L	28-1/8"	20-3/8"	36-3/8"	5-1/8"	10-3/16"	7" or 6**	37-1/4"	18-11/16"	25-7/8"	64-08	30-1/8"	37-3/8"	36-3/8"	7-1/2"	18-11/16"	10"	43-1/8"	18-15/16"	26-1/8"
63-04	28-1/8"	20-3/8"	36-3/8"	5-1/8"	10-3/16"	7" or 6**	37-1/4"	18-11/16"	25-7/8"	64-09	30-1/8"	41-5/8"	36-3/8"	7-1/2"	20-13/16"	10"	43-1/8"	18-15/16"	26-1/8"
63-05L	28-1/8"	24-5/8"	36-3/8"	6-5/8"	12-5/16"	8"	39-1/4"	18-11/16"	25-7/8"	64-10	30-1/8"	45-7/8"	36-3/8"	8-1/2"	22-15/16"	12"	45-1/8"	18-15/16"	26-1/8"
63-05	28-1/8"	24-5/8"	36-3/8"	6-5/8"	12-5/16"	8"	39-1/4"	18-11/16"	25-7/8"	64-11	30-1/8"	50-1/8"	36-3/8"	8-1/2"	25-1/16"	12"	45-1/8"	18-15/16"	26-1/8"
63-06	28-1/8"	16-1/8"	36-3/8"	5-5/8"	8-1/16"	6"	37-1/4"	18-11/16"	25-7/8"	64-12	30-1/8"	54-3/8"	36-3/8"	8-1/2"	27-3/16"	12"	45-1/8"	18-15/16"	26-1/8"

\*Draft hood outlet and vent damper are 7" diameter on 63-04L and 63.04. These models are also certified in USA with 6" vent using vent reducer provided in draft hood carton. Install reducer on outlet of vent damper.

## Boiler Ratings

Series 63™										Water Content		Approximate Shipping Weight (lbs.)
Boiler Model Number	Input, MBH	Heating Capacity <sup>2</sup> , MBH		Net Ratings <sup>1</sup>			AFUE <sup>2</sup>		Water, Gallons	Steam, Gallons		
		Water	Steam	Steam, sqft	Steam, MBH	Water, MBH	Water, %	Steam, %				
63-03L	88.5	73	74	233	56	63	82.4	83.0	13.2	9.3	465	
63-03	118	99	98	308	74	86	83.5	82.6	13.2	9.3	465	
63-04L	147.5	123	123	383	92	107	82.7	82.6	15.6	10.8	576	
63-04	177	148	147	458	110	129	83.4	82.4	15.6	10.8	576	
63-05L	206.5	172	171	533	128	150	82.9	82.3	18.0	12.4	700	
63-05	236	198	196	613	147	172	83.3	82.2	18.0	12.4	700	
63-06	287.5	241	238	746	179	210	83.2	82.0	20.4	13.9	812	

Series 64™										Water Content		Approximate Shipping Weight (lbs.)	
Boiler Model Number	Input, MBH	Gross Output <sup>3</sup> , MBH		Net Ratings <sup>1</sup>			Thermal Efficiency <sup>3</sup>		Combustion Efficiency <sup>3</sup>		Water, Gallons		Steam, Gallons
		Water	Steam	Steam, sqft	Steam, MBH	Water, MBH	Water, %	Steam, %	Water, %	Steam, %			
64-07	345	279	274	858	206	243	81.0	79.4	83.0	82.5	22.8	15.5	945
64-08	399	323	318	996	239	281	81.0	79.6	83.0	82.5	25.2	17.0	1081
64-09	460	373	367	1146	275	324	81.0	79.7	83.0	82.5	27.6	18.6	1218
64-10	517.5*	419	413	1292	310	364	81.0	79.8	83.0	82.5	30.0	20.1	1354
64-11	575	466	459	1433	344	405	81.0	79.8	83.0	82.5	32.4	21.7	1490
64-12	632.5*	512	506	1583	380	445	81.0	79.9	83.0	82.4	34.8	23.2	1527

- Net Ratings are based on DOE Heating Capacity or Gross Output less an allowance for normal piping and pickup as determined by AHRI requirements. Water ratings are based on a piping and pickup factor of 1.15. Steam ratings are based on a piping and pickup factor of 1.33. Consult us before selecting a boiler for gravity hot water installations or for installations having unusual piping and pickup requirements such as exposed piping, night set-back, etc. Ratings shown are for elevations up to 2,000 feet. For elevations above 2,000 feet, ratings should be reduced at the rate of 4% for each 1,000 feet above sea level.
  - Heating Capacity and Annual Fuel Utilization Efficiency (AFUE) ratings are based on U.S. Government tests. Before purchasing this appliance, read important information about its estimated annual energy consumption or energy efficiency rating that is available from your retailer.
  - Thermal efficiency, combustion efficiency and gross output are determined in accordance with BTS 2000 Testing Standard.
- \*AHRI Directory indicates inputs to nearest whole number.



PeerlessBoilers.com



Printed on Recycled Paper

PeerlessBoilers.com

CUT-63/64 R5 (10/15-5M)  
Printed in U.S.A.  
©2015 PB Heat, LLC. All rights reserved.