



Supplement

Peerless® Partner® PV Indirect Water Heater Wiring to Peerless® PureFire® Boilers

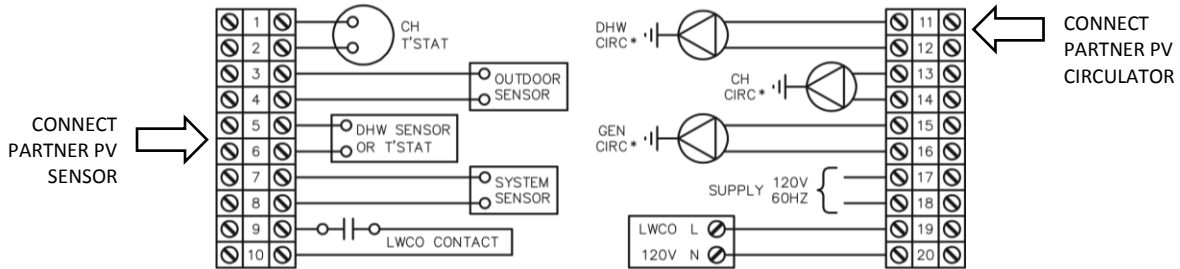
This supplement supersedes wiring methods shown in the Peerless® Partner® PV manual to connect the Partner® PV tank to a Peerless® PureFire® boiler.

Option 1 (Recommended) - Partner® PV Sensor Directly Connected to PureFire® DHW terminals.

Refer to wiring below and in the PureFire® manuals. Disconnect the sensor from the Partner® PV ETC101 limit control terminal block. Use the ETC101 housing as a junction box to extend the sensor leads to the boiler DHW terminals. This method is recommended due to simplicity, and it also allows the PureFire® control to capture the actual Partner® PV temperature.

In the PureFire® Installer Menu choose DHW Mode 1 – “DHW Sensor”.

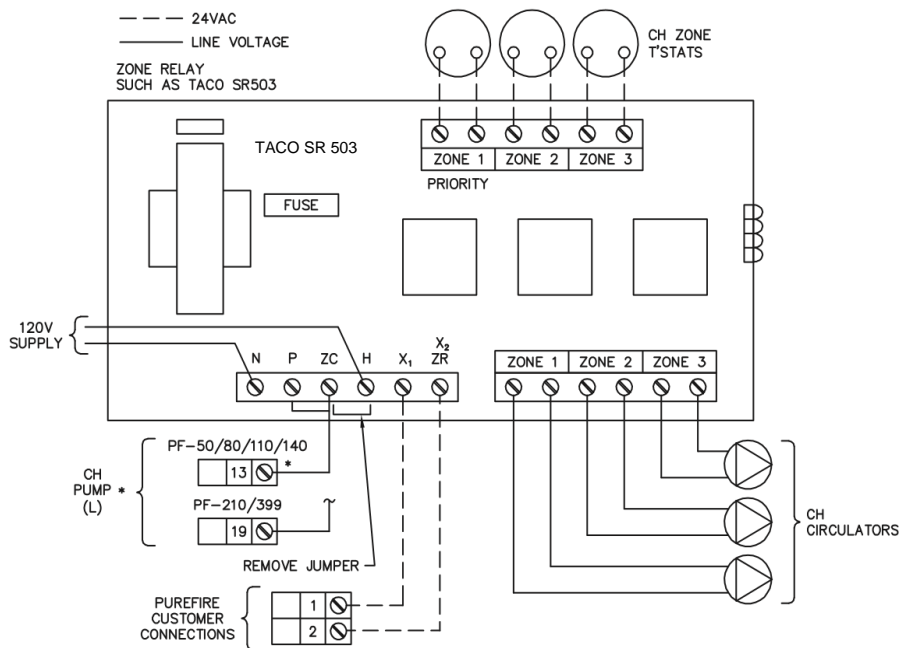
Note that since the PureFire® directly controls the Partner® PV, the ETC101 limit control LED will not illuminate when used in this application.



* SEE BOILER MANUAL FOR MAXIMUM ALLOWABLE CIRCULATOR LOADS.

PF-50 - PF-140 boiler connections - See PureFire manuals for other sizes

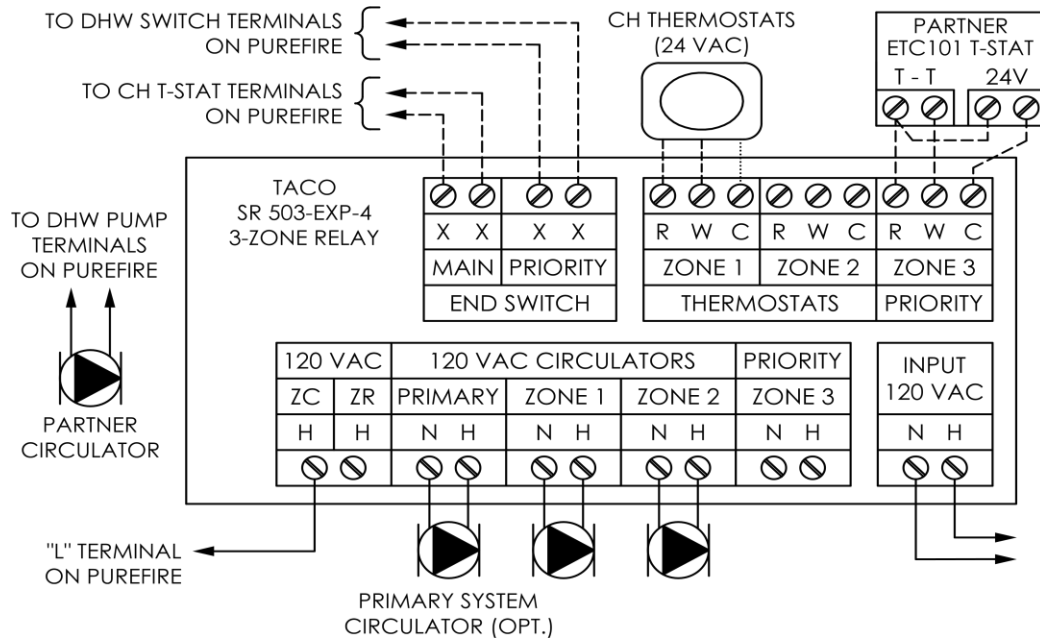
For multiple CH Zone installations, also connect PureFire® Boiler to zone panel as shown below. The zone panel does not require a dedicated DHW Priority Switch in this application.



Option 2 – Partner® PV ETC101 Limit Control connected to Zone Panel

Using a Relay Panel that includes a DHW priority end switch, verify that the transformer is capable of carrying the current load. Connect the PureFire® Boiler DHW T-Stat and CH T-Stat terminals to the panel as shown below.

In the PureFire® Installer Menu choose DHW Mode 2 – “DHW Switch”.

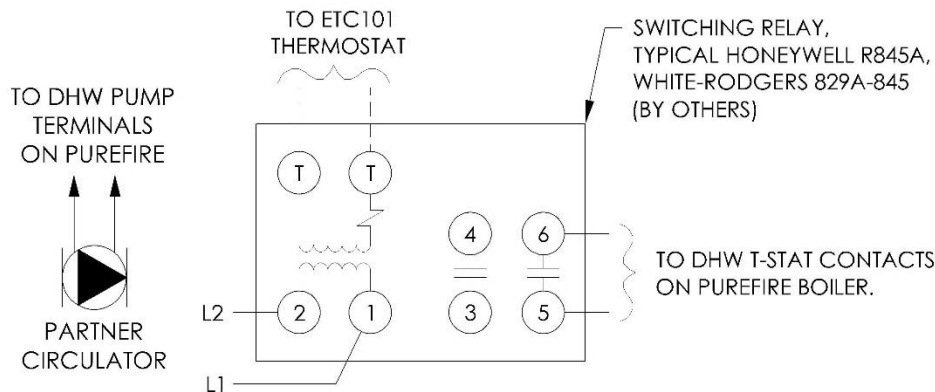


X7130 R1

Option 3 – Partner® PV ETC101 Limit Control Connected to Individual Zone Relay

The ETC101 limit control is connected to a Honeywell R845 or White Rodgers R829A relay as shown below.

In the PureFire® Installer Menu choose DHW Mode 2 – “DHW Switch”.



X8264 R0