

# NEW

## Sanipit<sup>®</sup> 24 GR CB

Pre-assembled  
1 HP grinder  
pump system  
w/24" x 24"  
basin

Technical  
Sales Sheet



Part# 054

# MADE IN FRANCE TO SUPERIOR QUALITY STANDARDS

Since 1958, the legendary Sanibroyeur and its rich brand recognition is nestled in this Oise village on a more than 8 acres site. Daily, about 300 people get together and work hard to continue building its notoriety. Over the years, the Brégy site has seen important investments that has transformed this simple assembly line into a near-autonomous operation.

## TESTING AND DESIGN



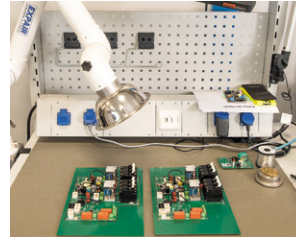
It's in the laboratory that the SFA products are designed and come to life. Nothing beats a series of tests to make sure the products are effective and durable.

## WINDING AND MOTOR MANUFACTURING



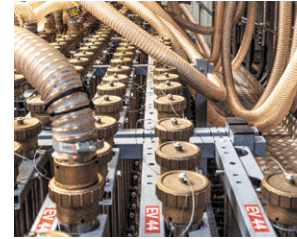
SFA has integrated winding and motor assembly since 1960. Entirely under robot control, a digital camera controls part of the elements to ensure optimal quality every step of the way.

## MANUFACTURING OF ELECTRONIC BOARDS



In the interest of superior quality, in the last few years, SFA integrated the production of its electronic boards at the Brégy site. These boards are then assembled by the operators.

## PRODUCTION OF COMPOSITE AND RUBBER PARTS



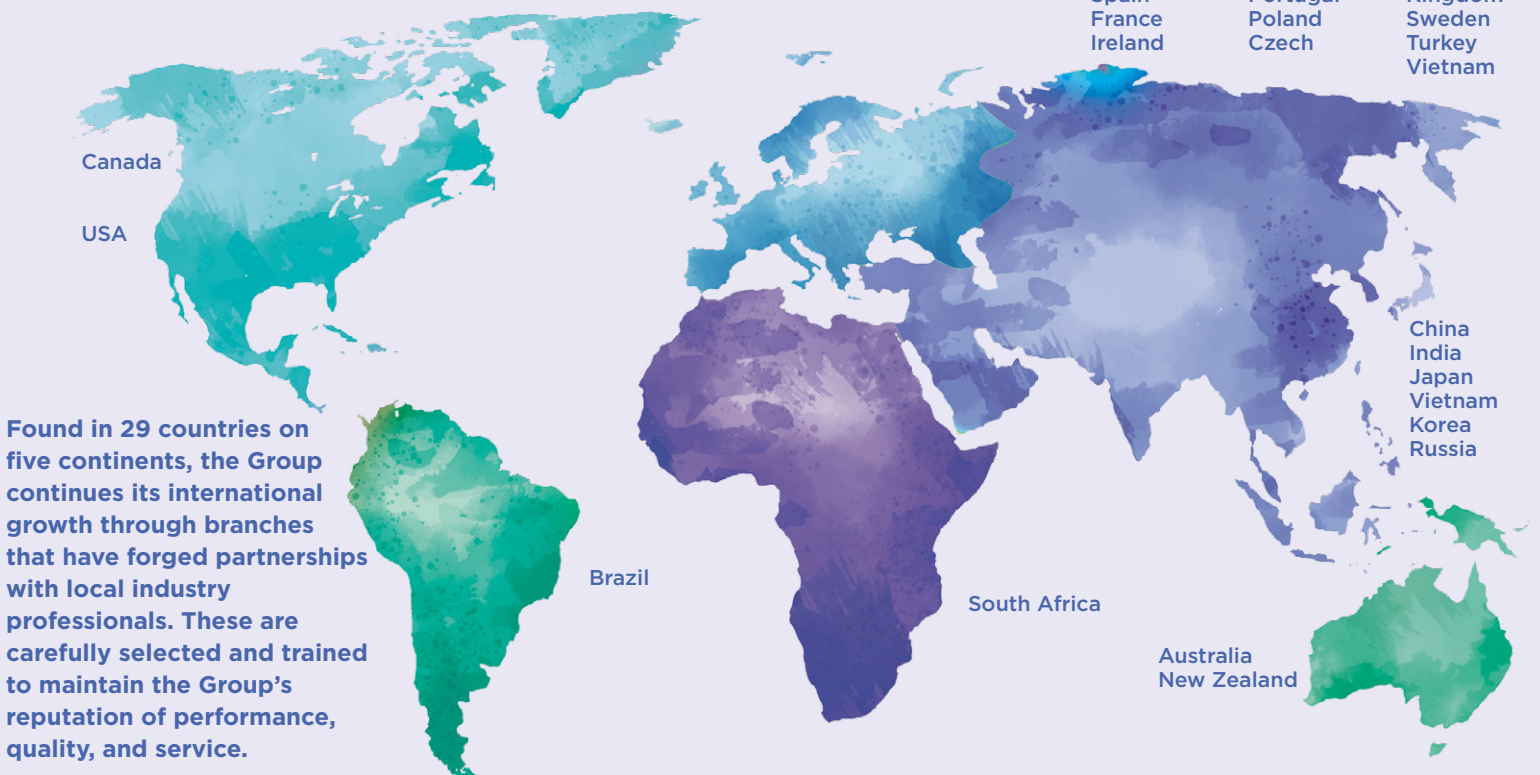
To date, the plastics processing department consists of 33 machines and a total of 760 molds. From the flow of the plastic pellets from the silos to the melting and molding of the parts, the process is fully automated.

## COMPONENTS ASSEMBLY



On site, robots and humans work together towards a common objective. When the work requires finesse, operators assemble parts, but when parts are difficult to move or assemble, robots come to the rescue.

# AN INTERNATIONAL PRESENCE



# Sanipit<sup>®</sup> 24 GR CB

Pre-assembled packaged 24" x 24" grinding 1 HP pump system w/basin and control panel/alarm system.



**Pre-assembled heavy-duty 24" basin** equipped with grinder pump and control panel/alarm system.

Capable of pumping up to **25 Ft (Max. Shut-off head: 33 Ft)**. Equipped with an external control panel and visual/audible alarm system.

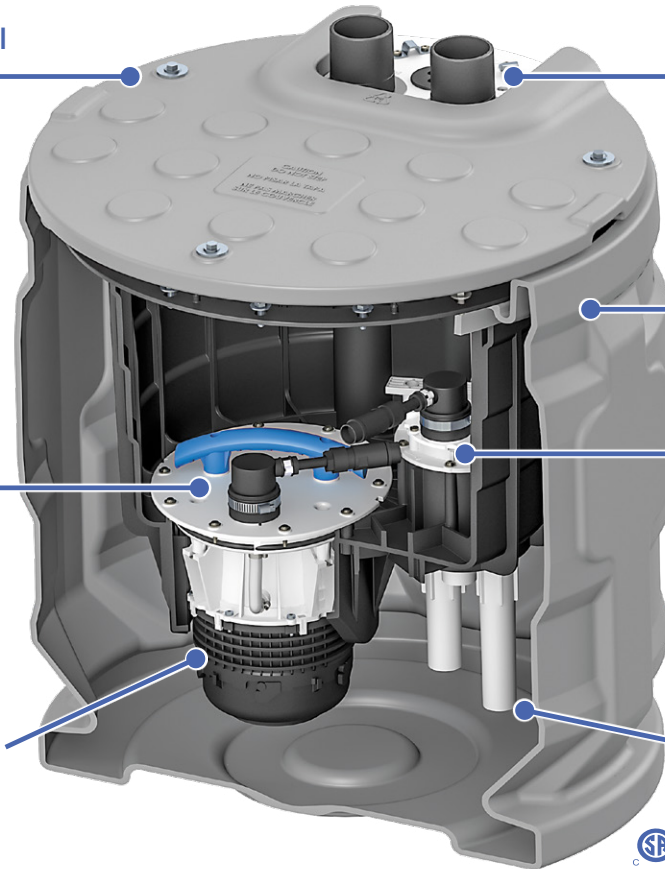
**Easy access to all major internal components** including motor, grinder blade and pressure switches.

**Tight seal odor eliminating lid** attaches with bolts into an interlocking channel.

**Powerful 1 HP motor** equipped with stainless steel **grinder blade** meant for commercial applications.

**Equipped with fail-proof air pressure switch system with triple redundancy.**

**Superior wastewater detection system** giving a longer life expectancy without any maintenance.



## TECHNICAL SPECIFICATIONS

### Motor/Electrical:

1 HP / 120 V - 60 Hz / 10 Amps (Max)

### Max. temperature:

158 °F (70 °C)

### Discharge/vent pipe/inlet diameters:

2" Discharge / 2" Vent / 4" Inlet

### Discharge rate at 25 ft:

29 GPM (110 LPM)

### Discharge rate at 3 ft:

66 GPM (250 LPM)

### Shut-off head:

33 ft (10m)

### Weight:

66 lbs (30 kg)

### ON/OFF Levels:

7-3/4" (195mm) / 3-1/4" (83mm)

### IP rating:

IP 68

### Capacitor rating:

60 µF

### Maximum vertical discharge:

25 ft (7.2 m)

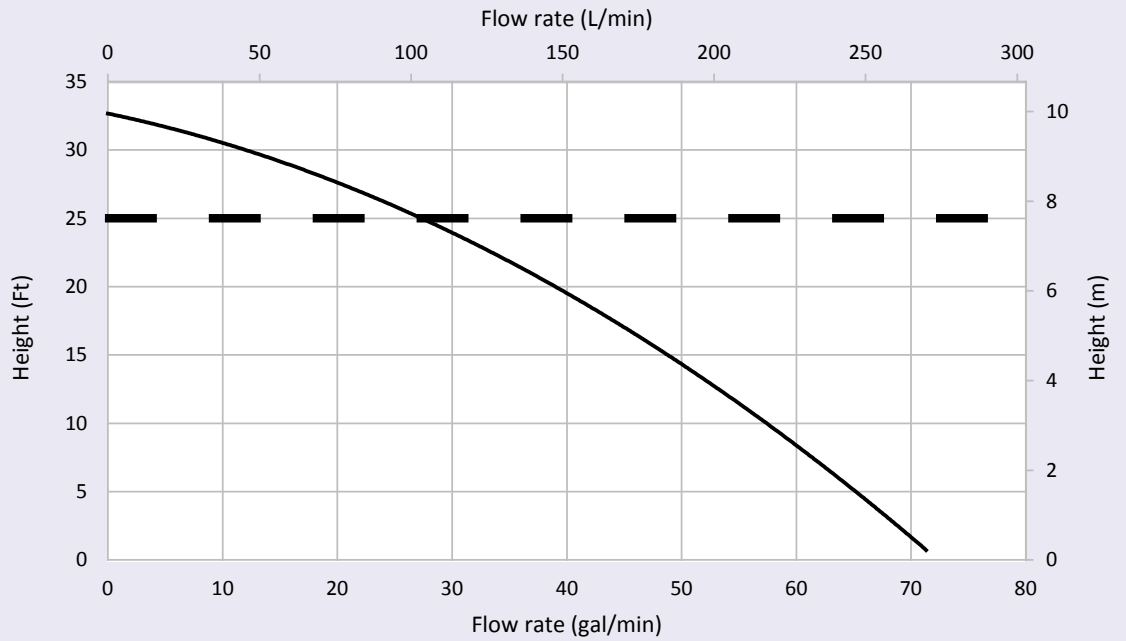
### Maximum horizontal discharge:

328 ft (100 m)

### Basin capacity volume:

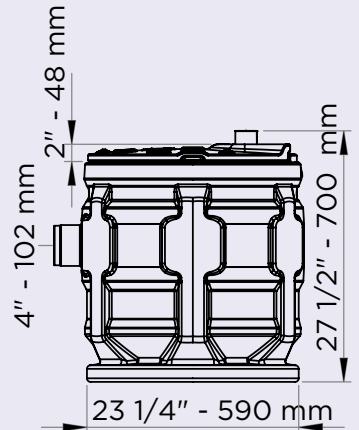
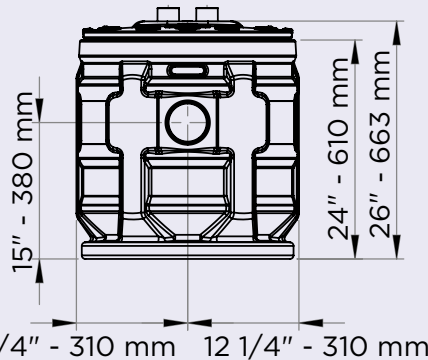
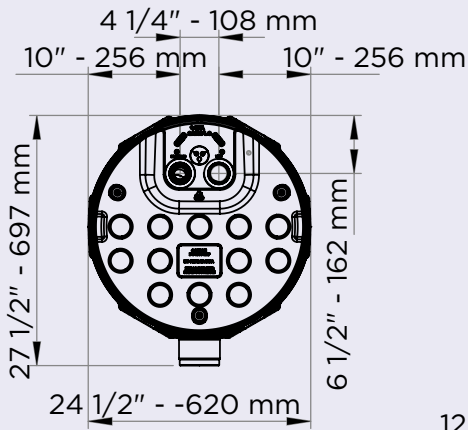
21 g (80 l)

# PUMP CURVE

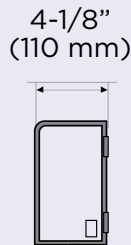
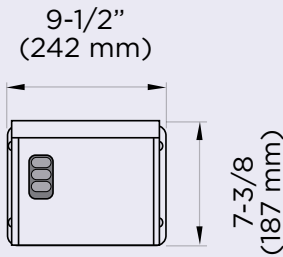


# COMPLETE PUMP PACKAGED SYSTEM

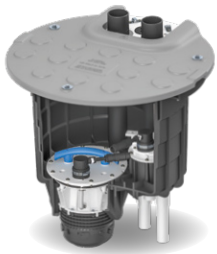
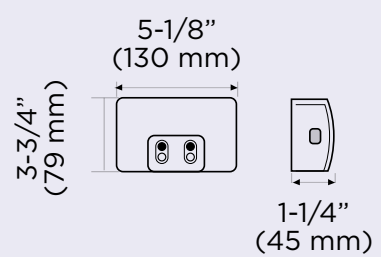
## PUMP BASIN



## CONTROL PANEL



## ALARM PANEL



ALSO AVAILABLE FOR RETROFITS

**Sanipit® 24 GR** Part# 053

Pre-assembled retrofit pump kit with built-in 1 HP grinder and air pressure switches that adapts to 24" diameter basins.