

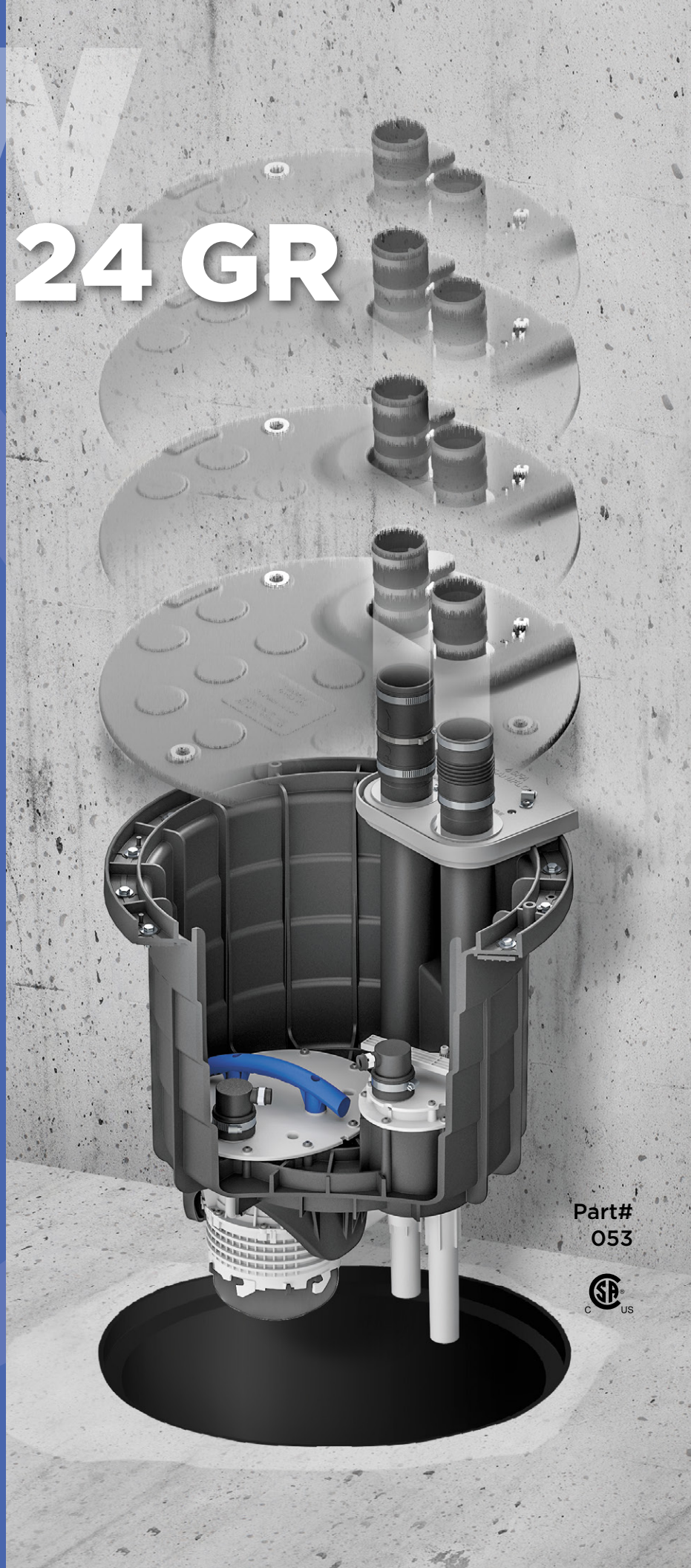
NEW Sanipit[®]

Retrofit 1 HP
grinder pump

Technical
Sales Sheet

Saniflo  SFA GROUP

24 GR



Part#
053



MADE IN FRANCE TO SUPERIOR QUALITY STANDARDS

Since 1958, the legendary Sanibroyeur and its rich brand recognition is nestled in this Oise village on a more than 8 acres site. Daily, about 300 people get together and work hard to continue building its notoriety. Over the years, the Brégy site has seen important investments that has transformed this simple assembly line into a near-autonomous operation.

TESTING AND DESIGN



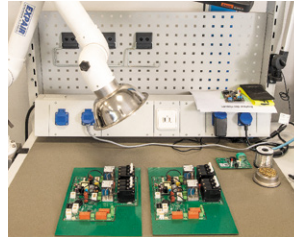
It's in the laboratory that the SFA products are designed and come to life. Nothing beats a series of tests to make sure the products are effective and durable.

WINDING AND MOTOR MANUFACTURING



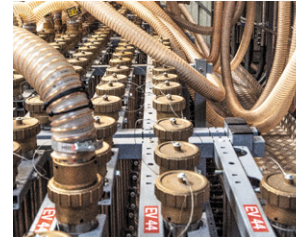
SFA has integrated winding and motor assembly since 1960. Entirely under robot control, a digital camera controls part of the elements to ensure optimal quality every step of the way.

MANUFACTURING OF ELECTRONIC BOARDS



In the interest of superior quality, in the last few years, SFA integrated the production of its electronic boards at the Brégy site. These boards are then assembled by the operators.

PRODUCTION OF COMPOSITE AND RUBBER PARTS



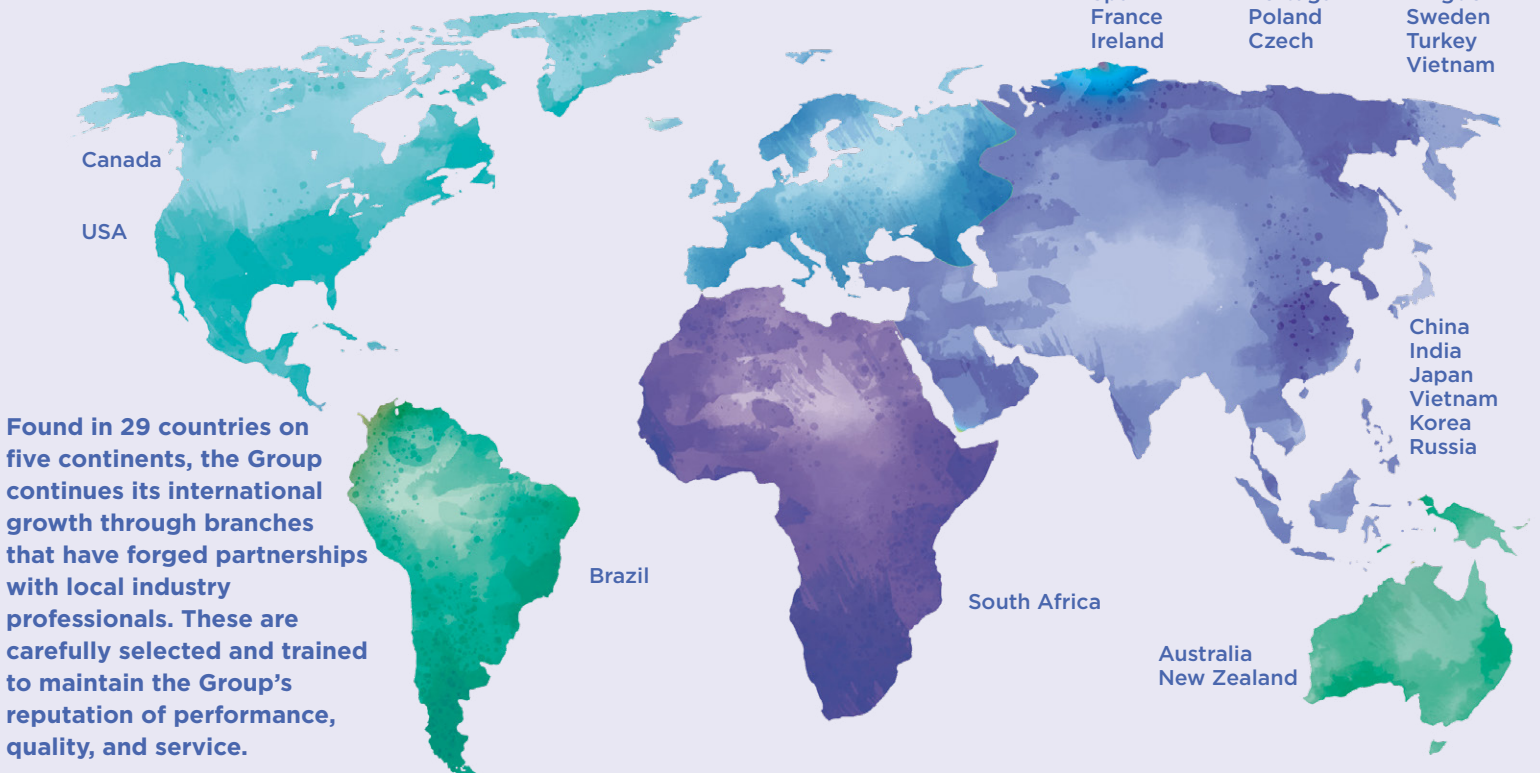
To date, the plastics processing department consists of 33 machines and a total of 760 molds. From the flow of the plastic pellets from the silos to the melting and molding of the parts, the process is fully automated.

COMPONENTS ASSEMBLY



On site, robots and humans work together towards a common objective. When the work requires finesse, operators assemble parts, but when parts are difficult to move or assemble, robots come to the rescue.

AN INTERNATIONAL PRESENCE



Found in 29 countries on five continents, the Group continues its international growth through branches that have forged partnerships with local industry professionals. These are carefully selected and trained to maintain the Group's reputation of performance, quality, and service.

Sanipit[®] 24 GR

Pre-assembled retrofit pump kit with built-in grinder



Scan to view video:



Pre-assembled heavy-duty retrofit insert that easily fits 24" basins*.

Easy access to all major internal components including motor, grinder blade and pressure switches.

Powerful 1 HP motor equipped with stainless steel **grinder blade** meant for residential and commercial applications.

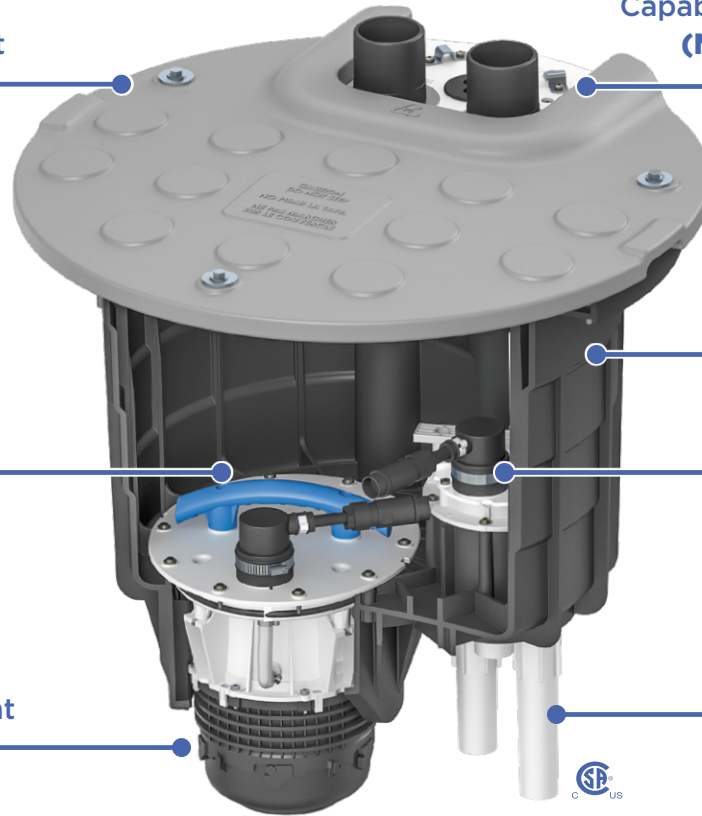
Capable of pumping up to **25 Ft (Max. Shut-off head: 33 Ft).**

Equipped with an external control panel and visual/audible alarm system.

Tight seal odor eliminating lid attaches with bolts into an interlocking channel.

Equipped with **fail-proof air pressure switch system** with triple redundancy.

Superior wastewater detection system giving a longer life expectancy without any maintenance.



TECHNICAL SPECIFICATIONS

Motor/Electrical:

1 HP / 120 V - 60 Hz / 10 Amps (Max)

Max. temperature:

158 °F (70 °C)

Discharge/vent pipe diameters:

2" Discharge / 2" Vent

Discharge rate at 25 ft:

29 GPM (110 LPM)

Discharge rate at 3 ft:

66 GPM (250 LPM)

Shut-off head:

33 ft (10m)

Weight:

44 lbs (20 kg)

ON/OFF Levels:

7-3/4" (195mm) / 3-1/4" (83mm)

IP rating:

IP 68

Capacitor rating:

60 µF

Maximum vertical discharge:

25 ft (7.2 m)

Maximum horizontal discharge:

328 ft (100 m)

Basin capacity volume:

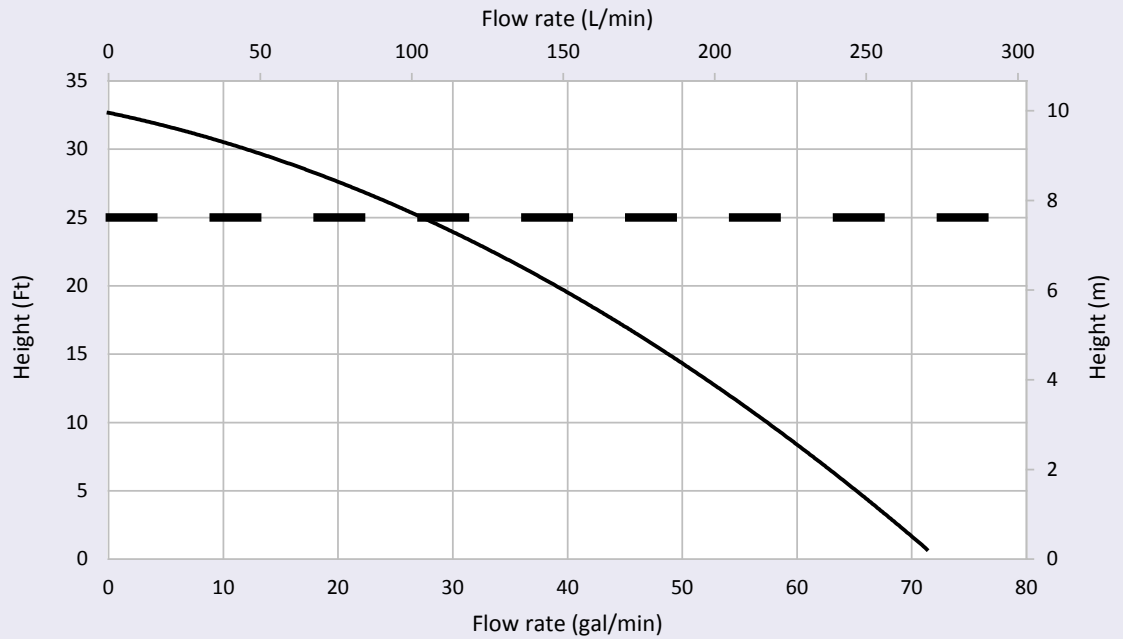
21 g (80 l)

All fittings and hardware included for ease of installation

* Consult factory for full list

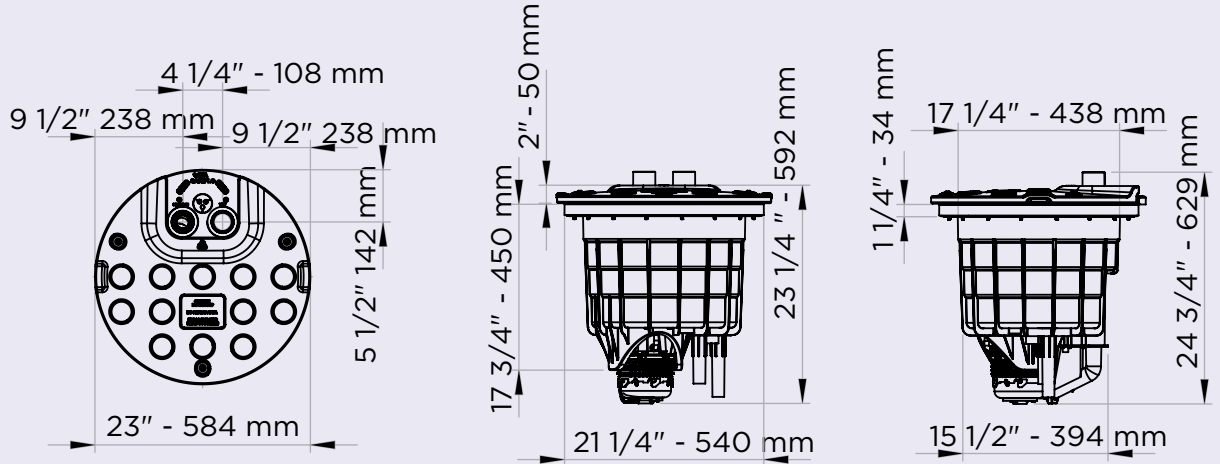
Part# 053

PUMP CURVE

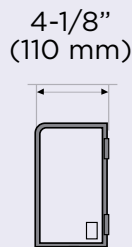
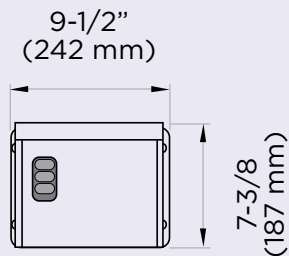


DIMENSIONS

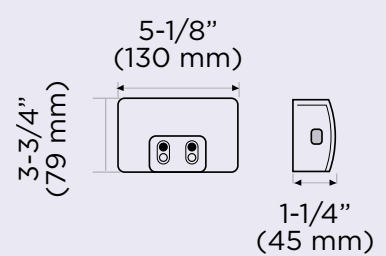
PUMP KIT



CONTROL PANEL



ALARM PANEL



ALSO AVAILABLE FOR NEW INSTALLS

Saniflo® 24 GRCB Part# 054

A pre-assembled packaged 24" x 24" grinding 1 HP pump system w/ basin and control panel/alarm system.

